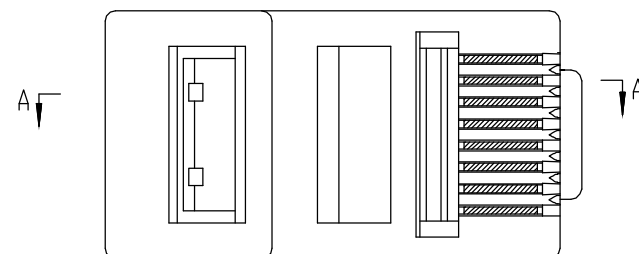
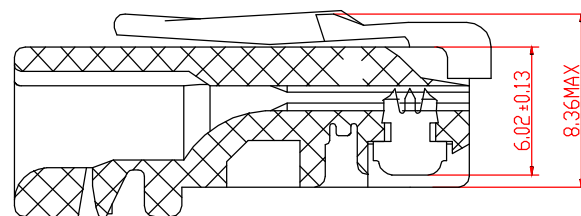
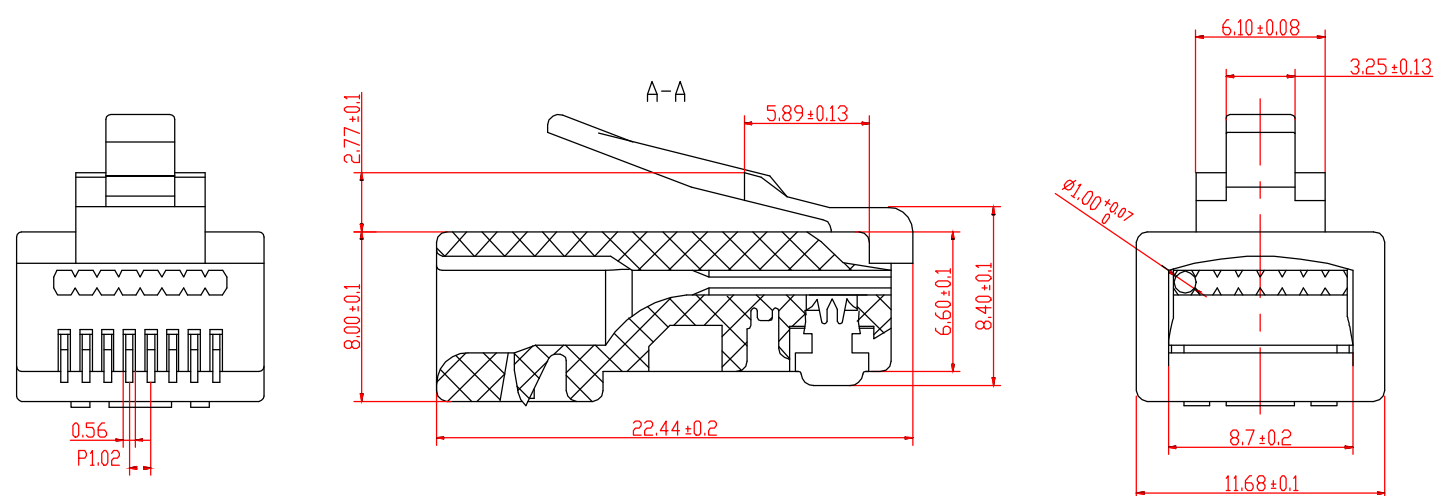


P-RJ4505-50/100

Cat5E RJ45 pass through Modular Plug



INSPECTION FOR ENVIRONMENTAL PROTECTION:

BASED ON THE PERFORMED TESTS ON SUBMITTED SAMPLE, THE TEST RESULTS ARE COMPLIANT WITH THE LIMITS OF ROHS AND REACH.

ELECTRICAL TEST:

- A. 250V AC MAX, AT 2A.
- B. DIELECTRIC WITHSTANDING 1000V DC/MIN, 0.5A.
- C. INSULATION RESISTANCE: $>500 \text{ M}\Omega$, 1000V DC/MIN.
- D. CONTACT RESISTANCE: $20 \text{ M}\Omega$.

MECHANICAL:

- A. CABLE-TO-PLUG TENSILE STRENGTH-20LBS (89N) MIN.
- B. DURABILITY: ≥ 750 MATING CYCLES.

OPERATING TEMPERATURE: -40° TO $+125^\circ$

MATERIAL:

- A. HOUSING MATERIAL: POLYCARBONATE (PC).
- B. SHIELD MATERIAL: H65Y, T=0.2MM.
- C. CONTACT MATERIAL: PHOSPHOR BRONZE, T=0.35.