

# NP302-OD

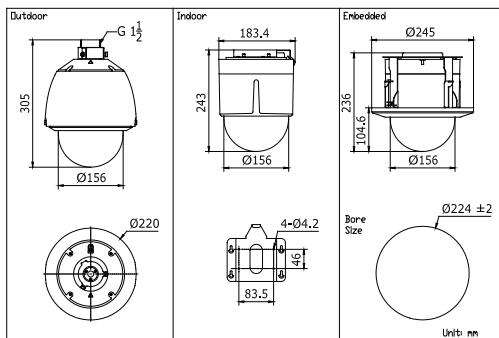
## 2MP Network PTZ Dome Camera



### Key features

- 1/2.8" Progressive Scan CMOS
- 1080P Full HD resolution
- 30X / 20X optical zoom, 16X digital zoom
- True Day/Night, 3D DNR, Digital WDR
- 3D intelligent positioning
- 24VAC / PoE+ power supply

### Dimensions



NP302-OD/ID	
<b>Camera</b>	
Image sensor	1/2.8" Progressive Scan CMOS
Effective pixel	2230K pixels
Min. illumination	Color: 0.05Lux@F1.6, AGC ON; B/W: 0.01Lux@F1.6, AGC ON
White balance	Auto / Manual /ATW/Indoor/Outdoor/Daylight lamp/Sodium lamp
AGC	Auto / Manual
S / N ratio	≥ 50dB
Digital noise Reduction	3D DNR
Backlight compensation	HLC/BLC
Wide dynamic range	Digital WDR
Shutter speed	1 ~1/10,000s
Day & Night	IR Cut Filter
Digital zoom	16X
Privacy masking	2 privacy masks programmable
Focus mode	Auto / Semiautomatic / Manual
<b>Lens</b>	
Focal length	4.7 ~ 94mm, 20x
Zoom speed	Approx 3s(Optical Wide-Tele)
Angle of view	58.3 ~3.2 degree (Wide-Tele)
Min. working distance	10 ~1000mm(Wide-Tele)
Aperture range	F1.6 ~ F3.5
<b>Pan and Tilt</b>	
Pan / Tilt range	Pan: 360° endless;Tilt: -5° ~90°(Auto Flip)
Pan / Tilt speed	Pan Manual Speed: 0.1° ~250°/s, Pan Preset Speed: 300°/s Tilt Manual Speed: 0.1° ~150°/s, Tilt Preset Speed: 200°/s
Proportional zoom	Rotation speed can be adjusted automatically according to zoom multiples
Number of preset	256
Park action	Pattern/Pan scan/Tilt scan/Frame scan/Panorama scan/Random scan
Patrol	8 patrols, up to 32 presets per patrol
Power-off memory	Support
PTZ position display	Support
Preset freezing	Support
Scheduled task	Preset / Patrol / Pattern / Pan scan / Tilt scan / Random scan / Frame scan / Panorama scan/Dome reboot/Self-test action/Alarm output
<b>Input/ Output</b>	
Audio Input	1 Mic in/Line in interface, Line input: 2 ~ 2.4V[p-p]; output impedance: 1KΩ, ±10%
Audio Output	1 Audio output interface, Line level, impedance: 600Ω
<b>Network</b>	
Ethernet	10Base-T / 100Base-TX, RJ45 connector
Max. Image Resolution	1920×1080
Frame Rate	50Hz: 25 fps (1920×1080), 25 fps (1280×960), 25 fps (1280×720) 60Hz: 30 fps (1920×1080), 30 fps (1280×960), 30 fps (1280×720)
Image Compression	H.264/MJPEG
Audio Compression	G.711u /G.711a /G.726 /MP2L2
Protocols	IPV4/IPV6, HTTP, HTTPS, 802.1x, Qos, FTP, SMTP, UPnP, SNMP, DNS, DDNS, NTP, RTSP, RTP, TCP, UDP,IGMP, ICMP, DHCP, PPPoE
Simultaneous Live View	Up to 6
Streams	Dual streams
Mini SD Memory Card	Micro SD slot, up to 32GB
User/Host Level	Up to 32users, 3 Levels: Administrator, Operator, User
Security Measures	User authentication (ID and PW), Host authentication (MAC address), IP address filtering
<b>Integration</b>	
Application programming	Open-ended API, support Onvif, PSIA and CGI
Web Browser	IE 7+, Chrome 18+, Firefox 5.0+, Safari 5.02+
<b>General</b>	
RS-485 Protocols	HIKVISION, Pelco-P, Pelco-D, self-adaptive
Power	24 VAC, max. 14W
Working Temperature	OD: -30°C ~ 65°C(-22°F ~ 149°F); ID: -10°C ~ 50°C(14°F ~122°F)
Humidity	90% or less
Protection Level	IP66 (outdoor dome) TVS 4,000V lightning protection, surge protection and voltage transient protection IK10 (optional)
Dimensions	Φ220×305mm (Φ8.66"×12.02")(Outdoor) Φ183.4×243mm(Φ7.22"×9.56") (Ceiling) Φ245×236mm(Φ9.65"×9.29") (In-ceiling)
Weight (approx.)	5Kg (11.02lbs)
Mount Option (for outdoor models)	Long-arm wall mount; Corner mount Pole Mount; Power box mount

NOTE: Indoor models support ceiling and in-ceiling mount.