

NP302-IR

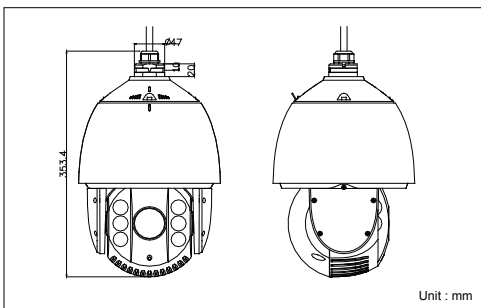
2MP Network IR PTZ Dome Camera



Key features

- 1/2.8" Progressive Scan CMOS
- 1080P Full HD resolution
- 30X / 20X optical zoom, 16X digital zoom
- Up to 100m IR distance
- True Day/Night, 3D DNR, Digital WDR
- 3D intelligent positioning
- 24VAC / High-PoE power supply

Dimensions



NP302-IR	
Camera	
Image sensor	1/2.8" Progressive Scan CMOS
Effective pixel	2230K pixels
Min. illumination	Color: 0.05lux (F1.6, AGC ON), 0 lux with IR ; B/W: 0.01lux (F1.6, AGC ON), 0 lux with IR
White balance	Auto / Manual /ATW/Indoor/Outdoor/Daylight lamp/Sodium lamp
AGC	Auto / Manual
S / N ratio	≥ 50dB
Digital noise Reduction	3D DNR
Backlight compensation	HLC/BLC
Wide dynamic range	Digital WDR
Shutter speed	1 ~ 1/10,000s
Day & Night	IR Cut Filter
Digital zoom	16X
Privacy masking	2 privacy masks programmable
Focus mode	Auto / Semiautomatic / Manual
Lens	
Focal length	4.7 ~ 94mm, 20x
Zoom speed	Approx 3s(Optical Wide-Tele)
Angle of view	58.3 ~ 3.2 degree (Wide-Tele)
Min. working distance	10 ~ 1000mm(Wide-Tele)
Aperture range	F1.6 ~ F3.5
Pan and Tilt	
Pan / Tilt range	Pan: 360° endless; Tilt: -15° ~ 90° (Auto Flip)
Pan / Tilt speed	Pan Manual Speed: 0.1° ~ 160°/s, Pan Preset Speed: 240°/s Tilt Manual Speed: 0.1° ~ 120°/s, Tilt Preset Speed: 200°/s
Proportional zoom	Rotation speed can be adjusted automatically according to zoom multiples
Number of preset	256
Park action	Pattern/Pan scan/Tilt scan/Frame scan/Panorama scan/Random scan
Patrol	8 patrols, up to 32 presets per patrol
Power-off memory	Support
PTZ position display	Support
Preset freezing	Support
Scheduled task	Preset / Patrol / Pattern / Pan scan / Tilt scan / Random scan / Frame scan / Panorama scan/Dome reboot/Self-test action/Alarm output
Infrared	
IR distance	Up to 100m
IR intensity	Automatically adjusted, depending on the zoom ratio
Local Video&Audio	
Audio input	1 Mic in/Line in interface, Line input: 2 ~ 2.4V(p-p); output impedance: 1KΩ, ±10%
Audio output	1 Audio output interface, Line level, impedance: 600Ω
Network	
Ethernet	10Base-T / 100Base-TX, RJ45 connector
Max. image resolution	1920×1080
Frame rate	50Hz: 25 fps (1920×1080), 25 fps (1280×960), 25 fps (1280×720) 60Hz: 30 fps (1920×1080), 30 fps (1280×960), 30 fps (1280×720)
Image compression	H.264/MJPEG
Audio compression	G.711u /G.711a /G.726 /MP2L2
Protocols	IPv4/IPv6, HTTP, HTTPS, 802.1x, Qos, FTP, SMTP, UPnP, SNMP, DNS, DDNS, NTP, RTSP, RTP, TCP, UDP, IGMP, ICMP, DHCP, PPPoE
Simultaneous live view	Up to 6
Streams	Dual streams
Mini SD memory card	Micro SD slot, up to 32GB
User/Host level	Up to 32 users, 3 Levels: Administrator, Operator, User
Security measures	User authentication (ID and PW), Host authentication (MAC address), IP address filtering
Integration	
Application programming	Open-ended API, support Onvif, PSIA and CGI
Web browser	IE 7+, Chrome 18+, Firefox 5.0+, Safari 5.02+
General	
RS-485 protocols	HIKVISION, Pelco-P, Pelco-D, self-adaptive
Power	High-PoE & 24 VAC, max. 30W
Working temperature	-30 °C ~ 65°C(-22°F ~ 149°F)
Humidity	90% or less
Protection level	IP66, TVS 4,000V lightning protection, surge protection and voltage transient protection
Dimensions	Φ220×353.4mm (Φ8.66"×13.91") (Outdoor)
Weight	Approx. 5.5kg(12.13lbs)