

NC354-XD 2.8MM

4 MP AI Technology Fixed Turret Network Camera



- High quality imaging with 4 MP resolution
- Excellent low-light performance with powered-by-DarkFighter technology
- Clear imaging against strong back light due to 120 dB WDR technology
- Efficient H.265+ compression technology
- False alarm reduction through human and vehicle target classification based on deep learning
- -U: Built-in microphone for real-time audio security
- Water and dust resistant (IP67)

AcuSense

Empowered by deep learning algorithms, AcuSense technology brings human or vehicle target classification alarms to front- and back-end devices. The system can greatly reduce false alarms generated by targets other than humans or vehicles, vastly improving alarm efficiency and effectiveness.

NC354-XD 2.8MM

4 MP AI Technology Fixed Turret Network Camera

▪ Specification

Camera	
Image Sensor	1/2.7" Progressive Scan CMOS
Min. Illumination	Color: 0.003 Lux @ (F1.4, AGC ON)
Shutter Speed	1/3 s to 1/100,000 s
Day & Night	ICR Cut
Slow Shutter	Yes
Angle Adjustment	Pan: 0° to 360°, tilt: 0° to 75°, rotate: 0° to 360°
P/N	P/N
Wide Dynamic Range	120 dB
Lens	
Lens Type & FOV	2.8 mm, horizontal FOV 103°, vertical FOV 55°, diagonal FOV 123°
Aperture	F1.4
Lens Mount	M12
Aperture Type	Fixed
Illuminator	
IR Range	Up to 30 m
Wavelength	850 nm
Smart Supplement Light	Yes
Supplement Light	IR
Video	
Max. Resolution	2592 × 1944
Main Stream	50Hz: 20fps (2592 × 1944) 25fps (2688 × 1520, 2304 × 1296, 1920 × 1080, 1280 × 720) 60Hz: 20fps (2592 × 1944) 30fps (2688 × 1520, 2304 × 1296, 1920 × 1080, 1280 × 720)
Sub Stream	50Hz: 25fps (640 × 480, 640 × 360, 320 × 240) 60Hz: 30fps (640 × 480, 640 × 360, 320 × 240)
Third Stream	50Hz: 25fps (1280 × 720, 640 × 480, 640 × 360, 360 × 240) 60Hz: 30fps (1280 × 720, 640 × 480, 640 × 360, 360 × 240)
Video Compression	Main stream: H.265/H.264 Sub-stream: H.265/H.264/MJPEG Third stream: H.265/H.264
Video Bit Rate	32 Kbps to 8 Mbps
H.264 Type	Baseline Profile/Main Profile/High Profile
H.265 Type	Main Profile
H.264+	Main Stream supports
H.265+	Main Stream supports
Bit Rate Control	CBR/VBR
Scalable Video Coding (SVC)	Yes
Region of Interest (ROI)	1 fixed region for each stream
Audio	
Environment Noise Filtering	-U: Yes

NC354-XD 2.8MM

4 MP AI Technology Fixed Turret Network Camera

Audio Sampling Rate	-U: 8 kHz/16 kHz/32 kHz/44.1 kHz/48 kHz
Audio Compression	-U: G.711ulaw/G.711alaw/G.722.1/G.726/MP2L2/PCM/MP3
Audio Bit Rate	-U: 64Kbps(G.711ulaw/G.711alaw)/16Kbps(G.722.1)/16Kbps(G.726)/32-192Kbps(MP2L2)/ 8-320Kbps(MP3)
Network	
Simultaneous Live View	Up to 6 channels
API	ONVIF (PROFILE S, PROFILE G, PROFILE T), ISAPI, SDK
Protocols	TCP/IP, ICMP, HTTP, HTTPS, FTP, DHCP, DNS, DDNS, RTP, RTSP, NTP, UPnP, SMTP, IGMP, 802.1X, QoS, IPv4, IPv6, UDP, Bonjour, SSL/TLS, SNMP
Smooth Streaming	Yes
User/Host	Up to 32 users. 3 user levels: administrator, operator and user
Security	Password protection, complicated password, HTTPS encryption, IP address filter, Security Audit Log, basic and digest authentication for HTTP/HTTPS, TLS 1.2, WSSE and digest authentication for ONVIF
Network Storage	MicroSD/SDHC/SDXC card (256 GB) local storage, and NAS (NFS, SMB/CIFS), auto network replenishment (ANR) Together with high-end Hikvision memory card, memory card encryption and health detection are supported
Client	iVMS-4200, Hik-Connect, Hik-Central
Web Browser	Plug-in required live view: IE8+, Chrome 41.0-44, Firefox 30.0-51, Safari 8.0-11 Plug-in free live view: Chrome 57.0+, Firefox 52.0+
Image	
Day/Night Switch	Day, Night, Auto, Schedule
Image Enhancement	BLC, HLC, 3D DNR
Image Parameters Switch	Yes
Image Settings	Rotate mode, saturation, brightness, contrast, sharpness, gain, white balance adjustable by client software or web browser
Interface	
Audio	-U: 1 built-in microphone
On-board Storage	Built-in micro SD slot, up to 256 GB
Hardware Reset	Yes
Communication Interface	1 RJ45 10M/100M self-adaptive Ethernet port
Intelligent (Traditional Algorithm)	
Basic Event	Motion detection, video tampering alarm, exception (network disconnected, IP address conflict, illegal login, HDD full, HDD error), scene change detection
Intelligent (Deep Learning Algorithm)	
Face Capture	Yes
Perimeter Protection	Line crossing detection, intrusion detection, region entrance detection, region exiting detection
General	
Storage Conditions	-30 °C to 60 °C (-22 °F to 140 °F). Humidity 95% or less (non-condensing)
Startup and Operating Conditions	-30 °C to 60 °C (-22 °F to 140 °F). Humidity 95% or less (non-condensing)
Power Supply	12 VDC ± 25%, reverse polarity protection PoE: 802.3af, class 3

NC354-XD 2.8MM

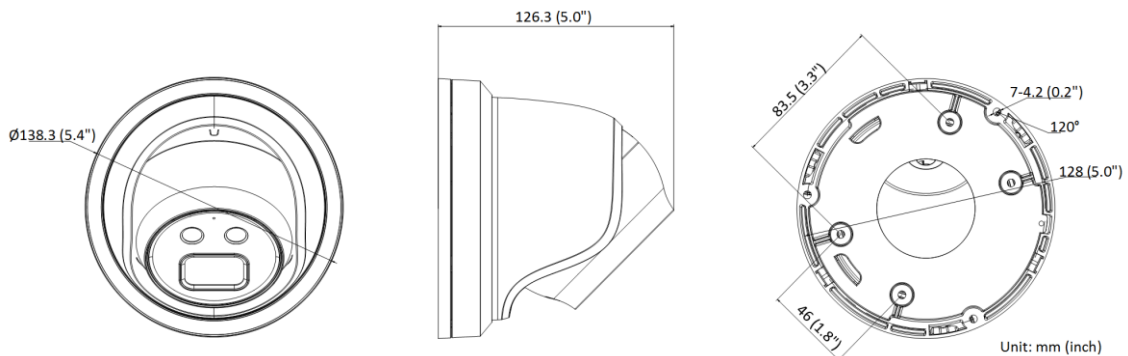
4 MP AI Technology Fixed Turret Network Camera

Power Consumption and Current	12 VDC, 0.48 A, max. 5.8 W PoE: (802.3af, 36 V to 57 V), 0.19 A to 0.12 A, max. 6.8 W
Power Interface	Ø5.5 mm coaxial power plug
Material	Metal except for trim ring
Camera Dimension	Ø138.3 × 126.3 mm (5.4" × 5.0")
Package Dimension	170 × 170 × 150 mm (6.7" × 6.7" × 5.9")
Camera Weight	Approx. 770 g (1.7 lb.)
With Package Weight	Approx. 1073 g (2.4 lb.)
Linkage Method	Upload to NAS/memory card, notify surveillance center, trigger record, trigger capture
Web Client Language	33 languages English, Russian, Estonian, Bulgarian, Hungarian, Greek, German, Italian, Czech, Slovak, French, Polish, Dutch, Portuguese, Spanish, Romanian, Danish, Swedish, Norwegian, Finnish, Croatian, Slovenian, Serbian, Turkish, Korean, Traditional Chinese, Thai, Vietnamese, Japanese, Latvian, Lithuanian, Portuguese (Brazil), Ukrainian
General Function	Anti-flicker, heartbeat, mirror, privacy masks, flash log, password reset via e-mail, pixel counter
Software Reset	Yes
Approval	
EMC	FCC (47 CFR Part 15, Subpart B); CE-EMC (EN 55032: 2015, EN 61000-3-2: 2014, EN 61000-3-3: 2013, EN 50130-4: 2011 +A1: 2014); RCM (AS/NZS CISPR 32: 2015); IC (ICES-003: Issue 6, 2016); KC (KN 32: 2015, KN 35: 2015)
Safety	UL (UL 60950-1); CB (IEC 60950-1:2005 + Am 1:2009 + Am 2:2013); CE-LVD (EN 60950-1:2005 + Am 1:2009 + Am 2:2013); BIS (IS 13252(Part 1):2010+A1:2013+A2:2015); LOA (IEC/EN 60950-1)
Environment	CE-RoHS (2011/65/EU); WEEE (2012/19/EU); Reach (Regulation (EC) No 1907/2006)
Protection	Ingression protection: IP67 (IEC 60529-2013)

Available Model

NC354-XD 2.8MM

Dimension



NC354-XD 2.8MM

4 MP AI Technology Fixed Turret Network Camera

▪ Accessory



1276ZJ-SUS
Corner Mount



1271ZJ-140
Pendant Mount



1273ZJ-140B
Wall Mount



1275ZJ-SUS
Vertical Pole Mount



1280ZJ-DM21
Junction Box



1273ZJ-140
Wall Mount