

# 1602ZJ



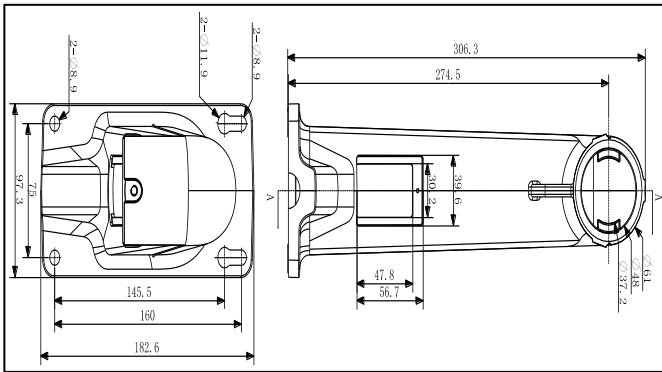
## Wall Mount Bracket Indoor/Outdoor



### Features:

- Aluminum alloy material with surface spray treatment
- General design for indoor/outdoor
- Better water proof design
- With safety rope, the assembling is safer and more convenient

### Dimension:



### Parameters:

Model	1602ZJ
Parameter	Wall Mount Bracket In/Outdoor
Color	Hik white
Feature	Suitable for speed dome pendent mounting
Material	Aluminum alloy
Dimension	97X182X305mm
Weight	1050g

### Notice:

- The bracket should be installed on the flat surface of a wall
- The wall must be capable of supporting more than 3 times the total capacity of the camera and the bracket.

**Note:** The actual bracket may vary from the picture above.

GSS East (NY Branch)  
59-43 Fresh Meadow Lane  
Fresh Meadows, NY 11365  
718-767-0099

GSS West (CA Branch)  
15222 Stafford St  
City of Industry, CA 91744  
323-234-2835