

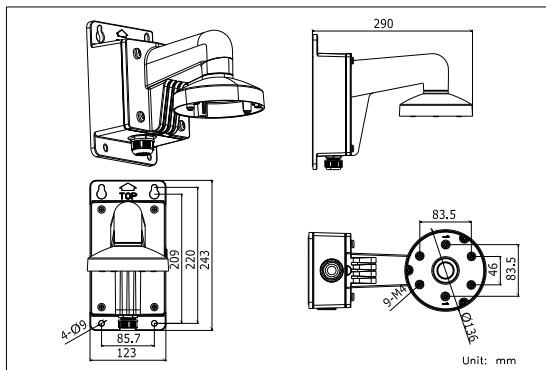
# 1273ZJ-135B

Wall Mounting Bracket for Dome Camera (with Junction Box)

**Features:**

- Aluminum alloy material with surface spray treatment
- Design of cable entrance hole
- Better water proof design
- Junction box with waterproof stopper

**Dimension:**



**Order Model:**

1273ZJ-135B

**Parameter:**

Model	1273ZJ-135B
Parameters	Wall Mounting Bracket for Dome Camera (with Junction Box)
Appearance	White
Range of Application	Suitable for dome camera wall mounting
Material	Aluminum Alloy
Dimension	136×243×290mm
Weight	1490g

**Notice:**

- The bracket should be installed on flat wall
- The wall must be capable of supporting over 3 times as much as the total weight of the camera and the mount.
- The maximum load capacity of the bracket is 4.5KG