

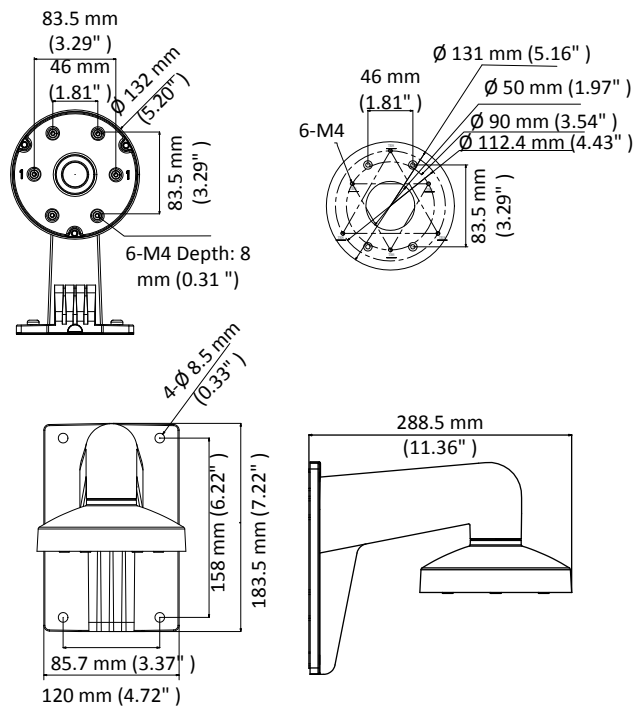
## Wall Mount



### Feature

- Aluminum alloy with surface spray treatment
- The cap design facilitates the installation

### Dimension



### Available Model

1273ZJ-130-TRL

### Parameter

Model	1273ZJ-130-TRL
Parameters	Wall Mount
Appearance	White and Grey
Material	Aluminum Alloy
Dimension	Ø 132 mm × 183.5 mm × 288.5mm (5.20" × 7.22" × 11.36")
Weight	900 g (1.98 lb.)

### Note

- The mount should be installed on flat wall
- Waterproof rubber is necessary for the outdoor application.
- The wall must be capable of supporting at least 3 times as much as the total weight of the camera, and the mount.
- The mount's maximum load capacity is 3 kg 6.6 lb.).