

HD0402-50FT

50ft 26AWG Pure Copper HDMI Cable

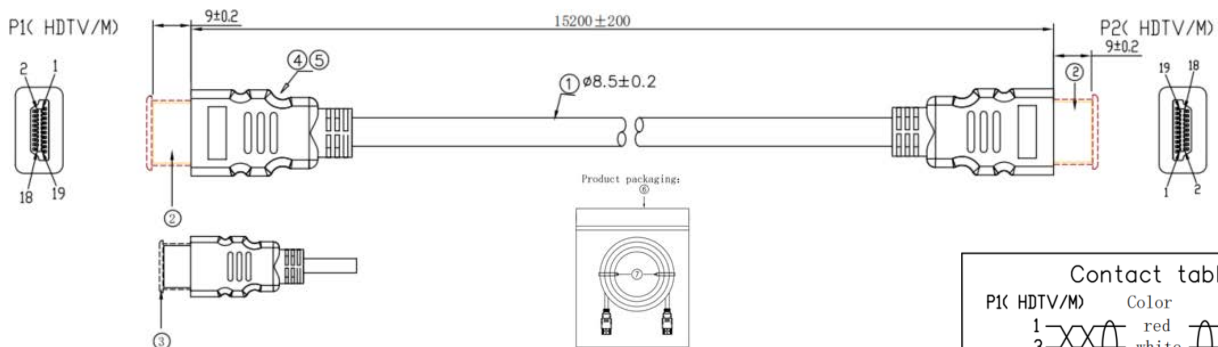
HDTV/M TO HDTV/M CABLE 4K60Hz BLACK L=15.2M

Test conditions:

1. 100% open circuit, short circuit switching tests and switching tests.
2. Conduction impedance 2 ohms is the maximum.
3. Insulation resistance: Minimum 10 megohms /DC300V/10ms.
4. Resolution 3840*2160@60hz. Test the TV set with a set-top box.



DRAWING:



Contact table		
P1(HDTV/M)	Color	P2(HDTV/M)
1	red	1
3	white	3
5	d	5
7	green	7
9	white	9
11	d	11
13	black	13
15	white	15
17	d	17
19	red	19
2	d	2
4	brown	4
6	white	6
8	d	8
10	blue	10
12	white	12
14	orange	14
16	yellow	16
18	white	18
Iron shell	d	Iron shell

6	BAG		Bone pocket	1	PCS
5	PE		For low-density PE material, natural color transparent molding inner mold	8	G
4	PVC		PVC plug material 45P black with a specific gravity of less than 1.45	10	G
3	CONN		HDMI male dust cover	2	PCS
2	CONN		HDMI male connector, black rubber core iron shell with gold plating, cable clamping type	2	PCS
1	WIRE		(28AWG*2+AL+AM)*5P+28AWG*5C+D+64B+AL OD: 8.5 BLACK	15200	MM
Serial number	Part name	Material coding	Detailed description		